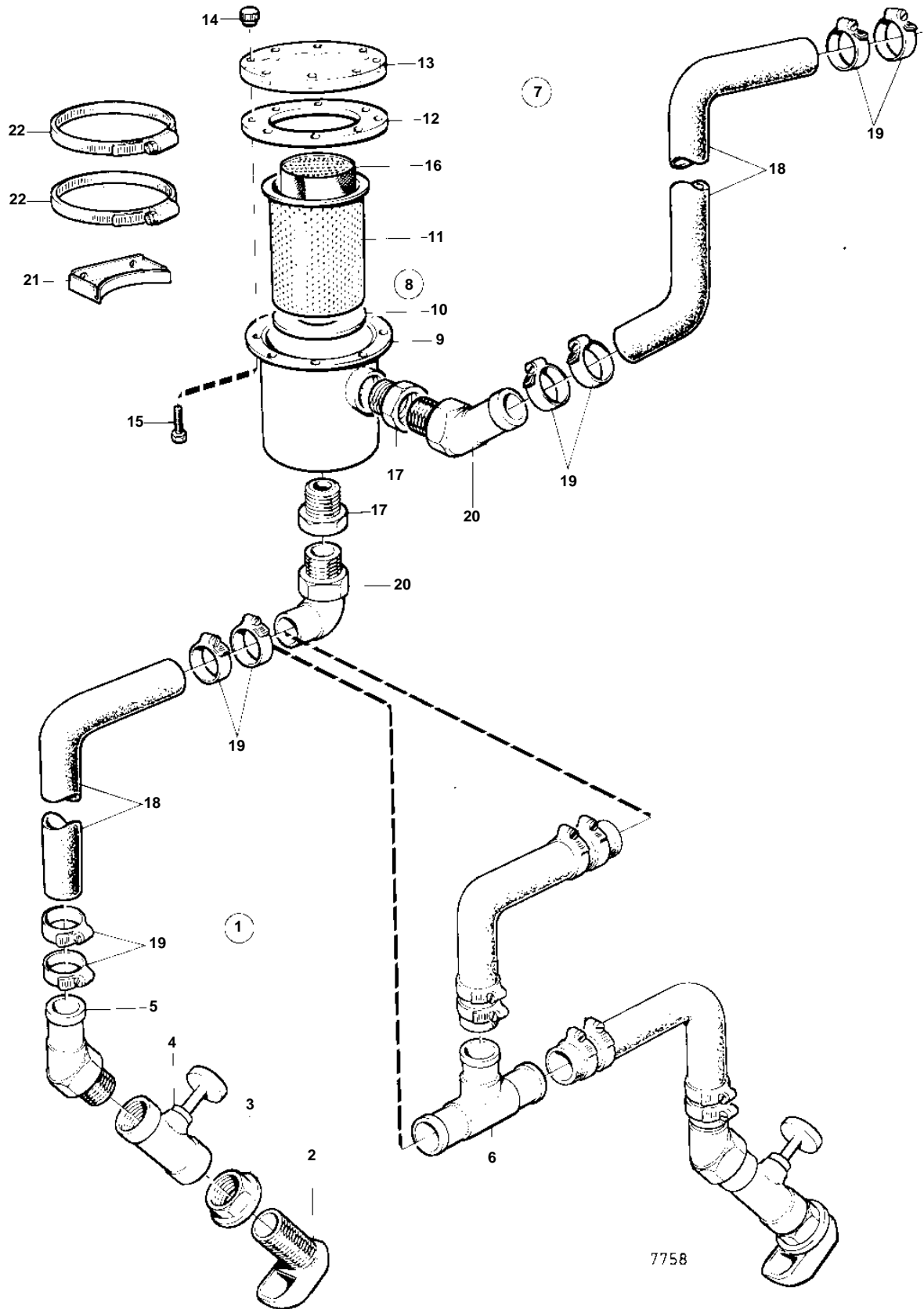


MD40A,TMD40A,TMD40B,TMD40C



MD40A,TMD40A,TMD40B,TMD40C

REF	PART NO.	QTY	DESCRIPTION	NOTES
1	828244	1	Cooling water inlet	
2	836876	1	· Strainer	
3	836879	1	· Nut	
4	828239	1	· Valve	
5	836759	1	· Hose attachment	
6	829513	1	T-nipple	USED WHEN TWO SEA WATER INTAKE ARE INSTALLED
7	844904	1	Filter	
8	842466	1	· Filter	
9		1	· · HOUSING	
10	843361	1	· · Gasket	
11	843358	1	· · Insert	
12	843360	1	· · Gasket	
13	843359	1	· · Cover	
14	843357	8	· · Nut	
15	843362	8	· · Screw	
16	844902	1	· Sea water filter	
17	844903	2	· Bushing	
18	941799	X	· Hose	L = 2M
19	961669	8	· Hose clamp	
20	836759	2	· Hose attachment	
21	828061	2	· Bracket	
22	961678	2	· Hose clamp	